

Parts List

Ref. No.	Description	#Used	CSO1R	CSO2R
			#08201 Item Code	#08203 Item Code
1	Feed Screw	1	98048	98069
2	Head	1	98038	98064
3	Tie Rod	2	98043	98068
4	Tie Rod Nut	2	98058	98074
5	Bottom Bar Finished	1	98040	98067
6	Bottom Crimp Bar	1	98041	98066
7	Top Crimp Bar	1	98039	98065
8	Thrust Cap	1	98057	98057
9	Set Screw	1	NA	30019
10	Handle	1	98045	98045
11	Handle Grip	1	40070	40070
12	Threaded Insert	1	NA	98072
13	Retaining Pin	2	93435	93437
14	Grease Fitting	2	40338	40338
15	1/2" Ratchet Wrench	1	40232	40208

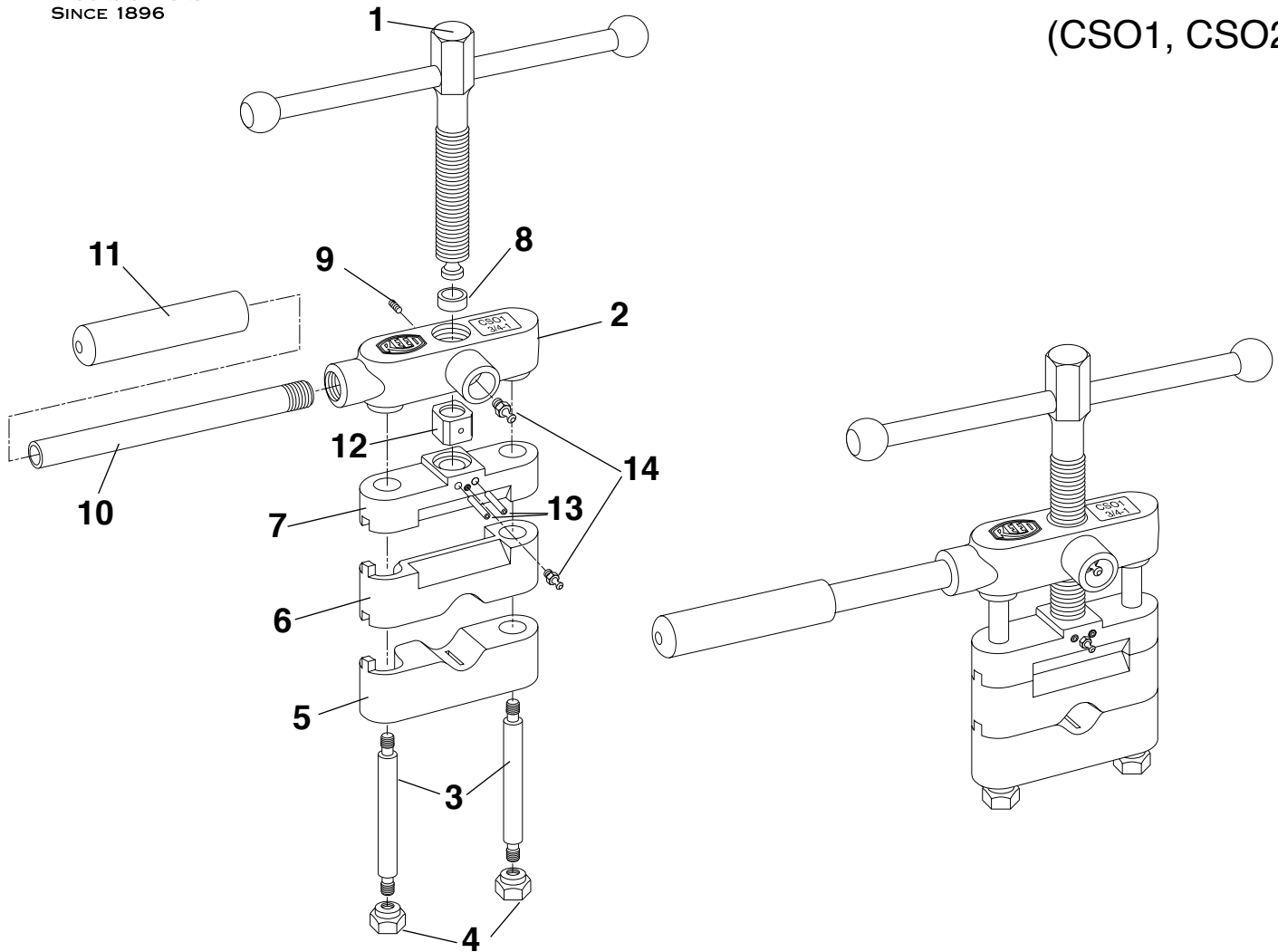


PIPE TOOLS & VISES
SINCE 1896

Copper Shut-Off Tools (Old Style)

Replacement Parts

(CSO1, CSO2)



Parts List

Ref. No.	Description	#Used	CSO1 #08200 Item Code	CSO2 #08202 Item Code
1	Feed Screw Assembly	1	98055	98073
2	Head	1	98038	98064
3	Tie Rod	2	98043	98068
4	Tie Rod Nut	2	98058	98074
5	Bottom Bar Finished	1	98040*	98067
6	Bottom Crimp Bar	1	98041*	98066
7	Top Crimp Bar	1	98039*	98065
8	Thrust Cap	1	98057	98057
9	Set Screw	1	NA	30019
10	Handle	1	98045	98045
11	Handle Grip	1	40070	40070
12	Threaded Insert	1	NA	98072
13	Retaining Pin	2	93435	93437
14	Grease Fitting	2	40338	40338

* If replacing old style, non-interlocking bar(s), 98040, 98041, and 98039 need to be purchased as a set.